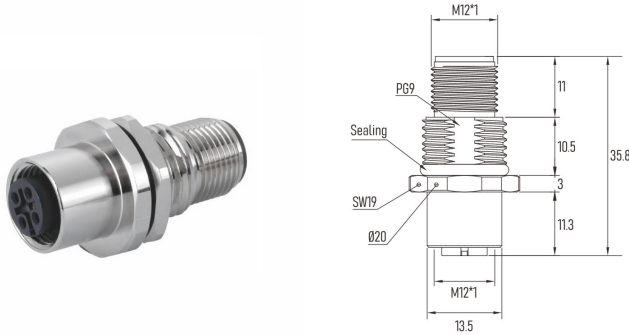


## M12 A-Code 4Pin male-female in one, through wall type, panel mount connector, PG9 Chassis side thread

Please be informed that the data shown in this PDF document is generated from our Online Catalog for reference only, for detailed technical information please contact our sales!



**Part No.:** MC04P7ABP9  
**Contacts Poles:** 04 Pin  
**Connector Gender:** Male connector, Female connector  
**Current Rating:** 4 A  
**Keyway Coding:** A-Coding  
**EMC Shielding:** 360° fully shielded

### Product data

Contacts Poles:	04 Pin	Connector Gender:	Male connector, Female connector
Current Rating:	4 A	Voltage Rating:	250V
Keyway Coding:	A-Coding	EMC Shielding:	360° fully shielded
Straight/ 90° Angled:	180° Straight	Contacts Termination:	Soldering
Temperature Rating:	-25°C ~ + 80°C, -40°C ~ + 105°C	Contacts Material:	Phosphor bronze, machined solid pin, Brass, machined solid pin
Cable Flamability:	VW-1	Contacts Plating:	3µ" Gold plating thickness
Inserts:	PA66 + GF	Sealing:	O-Ring
Housing/ Outer Shell:	Brass with nickel plating	Locking Screws:	Brass with nickel plated
Contact Resistance:	≤5mΩ	Insulation Resistance:	≥ 100 MΩ
Protection Degree:	IP 67, IP 69K	Pollution Degree:	III
Connector Flamability:	UL94 V0	Waterproof Depth:	IP67 1m depth 30 minutes, IP69K against high pressure/ steam jet
Plug Mating Life:	500 times	Warranty:	3-years quality guarantee period
Compliance:	RoHS compliant, REACH compliant	Reference Standard:	IEC 61076-2-101
Products Certification:	UL Certified, CUL Certified, CE/ EMC, IP67	Connector Type:	Panel mount receptacle

### Description

The M12 metric size A-Coding connectors, based on IEC 61076-2-101 standard, it is the most commonly used connector in the factory automation. M12 A-Coding connectors mainly designed for sensor and actuator devices. CABLEFORCE M12 A-Coding connectors are developed and designed for harsh industrial and climatic environments, e.g. High temperature range endurance, Hydrolysis resistant, Oil resistant, Corrosion resistant, UV-Resistant, Abrasion resistant, Bending and Drag Chain applicable. M12 A-Coding is a specified single keyway design; differentiate itself from B, C, D, X, S, T, K, L, M, Y-Coding.

- 2 pin, 3 pin, 4 pin, 5 pin, 7 pins, 8 pin, 12 pin, 17 pins
- PCB contacts, Solder type with (custom wire specification)
- Stainless steel and Plastic connector available
- Voltage rating: 600V, 250V, 60V, 30V
- Current rating: 16A, 4A, 3A, 1.5A
- IP67, IP69K protection degree
- Anti-vibration