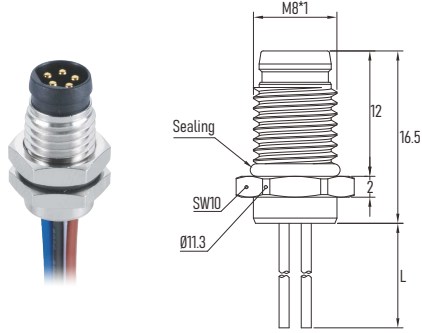
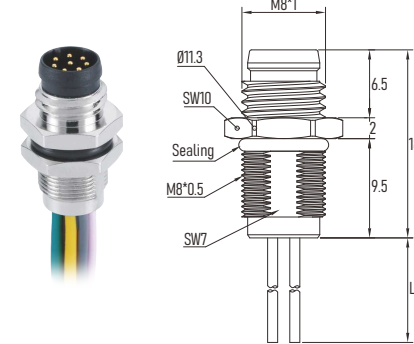


M8 A-Code male panel connector, front/ rear mount, with single wires  
M8 A-型 公头 板端连接器 前锁/ 后锁 预接电子线

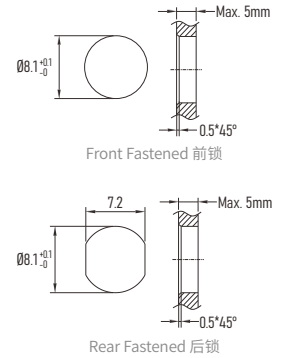
Front Fastened 前锁



Rear Fastened 后锁



Recommended Panel Cut-out 面板开孔建议



Connector Technical data 技术参数

Contacts No. Pin位/芯数	3Pin	4Pin	5Pin	6Pin	8Pin
Front View 正视图					
Reference Standard 参照标准	IEC 61076-2-104				
Rated current 额定电流	3A		1.5A		
Rated voltage 额定电压	60V		30V		
Impulse voltage 脉冲高压	1500V		500V		
Locking system 锁紧方式	M8 x 1.0 screw / M8 螺丝锁紧				
Tightening Torque 螺丝扭矩	Recommend/ 建议:0.3Nm, Max/ 最大:0.6Nm				
Termination 接线方式	Soldering / 焊接				
Wire gauge 适配线规	0.25mm <sup>2</sup> (AWG 24)			0.14mm <sup>2</sup> (AWG 26)	
Rated temperature 温度范围	-25 °C ... +80 °C				
Insulation resistance 绝缘电阻	≥100MΩ				
Contact resistance 接触电阻	≤5mΩ				
Contact carrier 胶芯材料	TPU + GF				
Screw nut 螺丝材料	Brass, CNC, Nickel-plated 黄铜 镀镍 机加工				
Contact Pin针端子	Brass 黄铜				
Contacts plating 端子镀层	Au (Gold) 镀金				
O-ring 密封圈	FKM/ Silicon 氟橡胶/硅胶				
Protection degree 防护等级	IP67, IP68				
Pollution degree 污染等级	3				

Ordering No. 订购料号

Poles 芯数	Wire length 接线长度	Panel Front Side Fastening 板前锁		Panel Rear Side Fastening 板后锁	
		M8x1.0 Chassis Side Thread 锁板螺纹	M8x0.5 Chassis Side Thread 锁板螺纹	M10x0.75 Chassis Side Thread 锁板螺纹	M10x0.75 Chassis Side Thread 锁板螺纹
3 Pin	0.2 m	MB03P1LSAB24W02	MB03P3LSAB24W02	MB03P3LSAB10.7-24W02	MB03P3LSAB10.7-24W02
	0.5 m	MB03P1LSAB24W05	MB03P3LSAB24W05	MB03P3LSAB10.7-24W05	MB03P3LSAB10.7-24W05
4 Pin	0.2 m	MB04P1LSAB24W02	MB04P3LSAB24W02	MB04P3LSAB10.7-24W02	MB04P3LSAB10.7-24W02
	0.5 m	MB04P1LSAB24W05	MB04P3LSAB24W05	MB04P3LSAB10.7-24W05	MB04P3LSAB10.7-24W05
5 Pin	0.2 m	MB05P1LSBB24W02	MB05P3LSBB24W02	MB05P3LSBB10.7-24W02	MB05P3LSBB10.7-24W02
	0.5 m	MB05P1LSBB24W05	MB05P3LSBB24W05	MB05P3LSBB10.7-24W05	MB05P3LSBB10.7-24W05
6 Pin	0.2 m	MB06P1LSAB26W02	MB06P3LSAB26W02	MB06P3LSAB10.7-26W02	MB06P3LSAB10.7-26W02
	0.5 m	MB06P1LSAB26W05	MB06P3LSAB26W05	MB06P3LSAB10.7-26W05	MB06P3LSAB10.7-26W05
8 Pin	0.2 m	MB08P1LSAB26W02	MB08P3LSAB26W02	MB08P3LSAB10.7-26W02	MB08P3LSAB10.7-26W02
	0.5 m	MB08P1LSAB26W05	MB08P3LSAB26W05	MB08P3LSAB10.7-26W05	MB08P3LSAB10.7-26W05

Wires' Color Coding 接线颜色与线序

Poles & Wire Color / Pin位与接线					
Pin 1 第1芯	BN 棕	BN 棕	BN 棕	BN 棕	WH 白
Pin 2 第2芯		WH 白	WH 白	WH 白	BN 棕
Pin 3 第3芯	BU 蓝	BU 蓝	BU 蓝	BU 蓝	GN 绿
Pin 4 第4芯	BK 黑	BK 黑	BK 黑	BK 黑	YE 黄
Pin 5 第5芯			GY 灰	GY 灰	GY 灰
Pin 6 第6芯				PK 粉	PK 粉
Pin 7 第7芯					BU 蓝
Pin 8 第8芯					RD 红