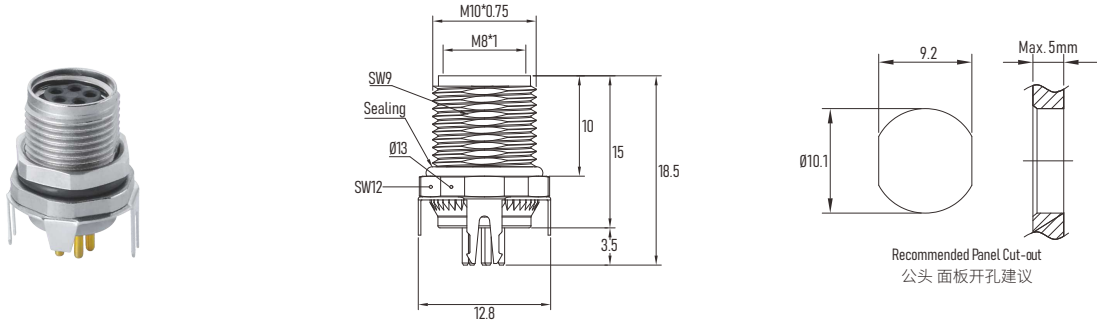


M8 female panel connector, front side fastening, PCB Contacts, EMI-Shielded
 M8 母头 板端连接器 板前锁 PCB型 屏蔽型



Connector Technical data 技术参数

| Contacts No. Pin位/芯数 | 3Pin | 4Pin | 5Pin | 6Pin | 8Pin |
|----------------------------|--------------------------------------|------|------|------|------|
| Front View 正视图 | | | | | |
| Reference Standard 参照标准 | IEC 61076-2-104 | | | | |
| Rated current 额定电流 | 3A | | 1.5A | | |
| Rated voltage 额定电压 | 60V | | 30V | | |
| Impulse voltage 脉冲高压 | 1500V | | 500V | | |
| Locking system 锁紧方式 | M8 x 1.0 screw / M8 螺丝锁紧 | | | | |
| Tightening Torque 螺丝扭矩 | Recommend/ 建议: 0.3Nm, Max/ 最大: 0.6Nm | | | | |
| Termination 接线方式 | PCB Dip Soldering / PCB浸焊 | | | | |
| Rated temperature 温度范围 | -25 °C ... +80 °C | | | | |
| Insulation resistance 绝缘电阻 | ≥ 100MΩ | | | | |
| Contact resistance 接触电阻 | ≤ 5mΩ | | | | |
| Contact carrier 胶芯材料 | TPU + GF | | | | |
| Screw nut 螺丝材料 | Brass, CNC, Nickel-plated 黄铜 镀镍 机加工 | | | | |
| Contact Pin针端子 | Phosphor bronze 磷青铜 | | | | |
| Contacts plating 端子镀层 | Au (Gold) 镀金 | | | | |
| O-ring 密封圈 | FKM/ Silicon 氟橡胶/硅胶 | | | | |
| Protection degree 防护等级 | IP67, IP68 | | | | |
| Pollution degree 污染等级 | 3 | | | | |

Ordering No. 订购料号

| Poles 芯数 | Female 母头 |
|----------|-------------|
| 3 Pin | MB03P2LPASB |
| 4 Pin | MB04P2LPASB |
| 5 Pin | MB05P2LPBSB |

PCB Layout Reference 孔位分布与钻孔建议

