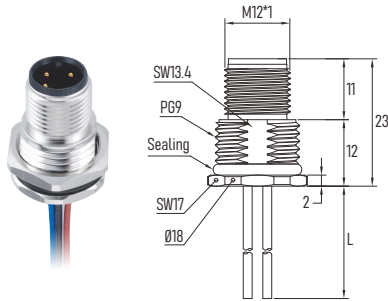


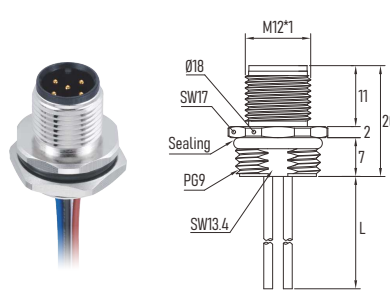
M12 A-Code male panel connector, front/ rear mount, with single wires

M12 A-型 公头 板端连接器 前锁/ 后锁 预接电子线

Front Fastened 前锁

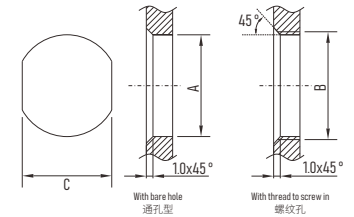


Rear Fastened 后锁



Recommended Panel Cut-out 面板开孔建议

Chassis side	PG9	M16	M20	1/2"-14NPT
A	15.3 ^{+0.1} ₋₀	16.1 ^{+0.1} ₋₀	20.1 ^{+0.1} ₋₀	21.4 ^{+0.1} ₋₀
B	PG9	M16x1.5	M20x1.5	1/2"-14NPT
C	13.5 ^{+0.1} ₋₀	13.6 ^{+0.1} ₋₀	N/A	N/A



Connector Technical data 技术参数

Contacts No. Pin位/芯数	3Pin	4Pin	5Pin	8Pin	12Pin	17Pin
Front View 正视图						
Reference Standard 参照标准	IEC 61076-2-101					
Rated current 额定电流	4A			2A		1.5A
Rated voltage 额定电压	250V		60V		30V	
Impulse voltage 脉冲高压	2500V		1500V		800V	
Locking system 锁紧方式	M12 x 1.0 screw / M12 螺丝锁紧					
Tightening Torque 螺丝扭矩	Recommend/ 建议: 0.6Nm, Max/ 最大: 1.0Nm					
Termination 接线方式	Soldering / 焊接					
Wire gauge 适配线规	0.34mm ² (AWG 22)			0.25mm ² (AWG24)		0.14mm ² (AWG 26)
Rated temperature 温度范围	-25 °C ... +80 °C; -40 °C ... +105 °C					
Insulation resistance 绝缘电阻	≥ 100MΩ					
Contact resistance 接触电阻	≤ 5mΩ					
Contact carrier 胶芯材料	PA66 + GF					
Screw nut 螺丝材料	Brass, CNC, Nickel-plated 黄铜 镀镍 机加工					
Contact Pin端子	Brass 黄铜					
Contacts plating 端子镀层	Au (Gold) 镀金					
O-ring 密封圈	FKM/ Silicon 氟橡胶/硅胶					
Protection degree 防护等级	IP67, IP68					
Pollution degree 污染等级	3					

Ordering No. 订购料号

Poles 芯数	Wire length 接线长度	Panel Front Side Fastening 板前锁				Panel Rear Side Fastening 板后锁			
		PG9	M16x1.5	M20x1.5	1/2"-14NPT	PG9	M16x1.5	M20x1.5	1/2"-14NPT
3 Pin	0.2 m	MC03PILSABP9-22W02	MC03PILSAB16-22W02	MC03PILSAB20-22W02	MC03PILSAB14N-22W02	MC03P3LSABP9-22W02	MC03P3LSAB16-22W02	MC03P3LSAB20-22W02	MC03P3LSAB14N-22W02
	0.5 m	MC03PILSABP9-22W05	MC03PILSAB16-22W05	MC03PILSAB20-22W05	MC03PILSAB14N-22W05	MC03P3LSABP9-22W05	MC03P3LSAB16-22W05	MC03P3LSAB20-22W05	MC03P3LSAB14N-22W05
4 Pin	0.2 m	MC04PILSABP9-22W02	MC04PILSAB16-22W02	MC04PILSAB20-22W02	MC04PILSAB14N-22W02	MC04P3LSABP9-22W02	MC04P3LSAB16-22W02	MC04P3LSAB20-22W02	MC04P3LSAB14N-22W02
	0.5 m	MC04PILSABP9-22W05	MC04PILSAB16-22W05	MC04PILSAB20-22W05	MC04PILSAB14N-22W05	MC04P3LSABP9-22W05	MC04P3LSAB16-22W05	MC04P3LSAB20-22W05	MC04P3LSAB14N-22W05
5 Pin	0.2 m	MC05PILSABP9-22W02	MC05PILSAB16-22W02	MC05PILSAB20-22W02	MC05PILSAB14N-22W02	MC05P3LSABP9-22W02	MC05P3LSAB16-22W02	MC05P3LSAB20-22W02	MC05P3LSAB14N-22W02
	0.5 m	MC05PILSABP9-22W05	MC05PILSAB16-22W05	MC05PILSAB20-22W05	MC05PILSAB14N-22W05	MC05P3LSABP9-22W05	MC05P3LSAB16-22W05	MC05P3LSAB20-22W05	MC05P3LSAB14N-22W05
8 Pin	0.2 m	MC08PILSABP9-24W02	MC08PILSAB16-24W02	MC08PILSAB20-24W02	MC08PILSAB14N-24W02	MC08P3LSABP9-24W02	MC08P3LSAB16-24W02	MC08P3LSAB20-24W02	MC08P3LSAB14N-24W02
	0.5 m	MC08PILSABP9-24W05	MC08PILSAB16-24W05	MC08PILSAB20-24W05	MC08PILSAB14N-24W05	MC08P3LSABP9-24W05	MC08P3LSAB16-24W05	MC08P3LSAB20-24W05	MC08P3LSAB14N-24W05
12 Pin	0.2 m	MC12PILSABP9-26W02	MC12PILSAB16-26W02	MC12PILSAB20-26W02	MC12PILSAB14N-26W02	MC12P3LSABP9-26W02	MC12P3LSAB16-26W02	MC12P3LSAB20-26W02	MC12P3LSAB14N-26W02
	0.5 m	MC12PILSABP9-26W05	MC12PILSAB16-26W05	MC12PILSAB20-26W05	MC12PILSAB14N-26W05	MC12P3LSABP9-26W05	MC12P3LSAB16-26W05	MC12P3LSAB20-26W05	MC12P3LSAB14N-26W05
17 Pin	0.2 m	MC17PILSABP9-26W02	MC17PILSAB16-26W02	MC17PILSAB20-26W02	MC17PILSAB14N-26W02	MC17P3LSABP9-26W02	MC17P3LSAB16-26W02	MC17P3LSAB20-26W02	MC17P3LSAB14N-26W02
	0.5 m	MC17PILSABP9-26W05	MC17PILSAB16-26W05	MC17PILSAB20-26W05	MC17PILSAB14N-26W05	MC17P3LSABP9-26W05	MC17P3LSAB16-26W05	MC17P3LSAB20-26W05	MC17P3LSAB14N-26W05

Wires' Color Coding 接线颜色与线序

Poles & Wire Color / Pin位与接线							(17Pin)
Pin 1 第1芯	BN 棕	BN 棕	BN 棕	WH 白	WH 白	BN 棕	13. WH/BU 白/绿
Pin 2 第2芯		WH 白	WH 白	BN 棕	BN 棕	WH 白	14. BN/GN 棕/绿
Pin 3 第3芯		BU 蓝	BU 蓝	GN 绿	GN 绿	YE 黄	15. WH/YE 白/黄
Pin 4 第4芯	BK 黑	BK 黑	BK 黑	YE 黄	YE 黄	GN 绿	16. YE/BN 黄/棕
Pin 5 第5芯			GY 灰	GY 灰	GY 灰	PK 粉	17. WH/GY 白/灰
Pin 6 第6芯				PK 粉	PK 粉	GY 灰	
Pin 7 第7芯				BU 蓝	BU 蓝	BK 黑	
Pin 8 第8芯				RD 红	RD 红	VT 紫	
Pin 9 第9芯					OR 橙	RD 红	
Pin 10 第10芯					VT 紫	BU 蓝	
Pin 11 第11芯					BK 黑	GY/PK 灰/粉	
Pin 12 第12芯					LP 浅紫	RD/BU 红/蓝	