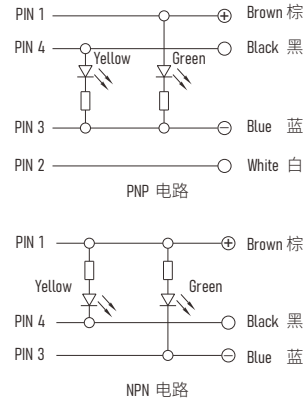
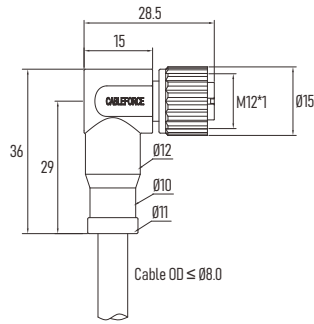


M12 Female connector, molded with LED Display, free end
M12 母头 成型式 预铸电缆 尾端不接 带LED指示灯



Connector Technical data 技术参数

Contacts No. Pin位/芯数	3Pin	4Pin
Front View 正视图		
Reference Standard 参照标准	IEC 61076-2-101	
Rated current 额定电流	4A	
Rated voltage 额定电压	12V	
Locking system 锁紧方式	M12 x 1.0 screw / M12 螺丝锁紧	
Tightening Torque 螺丝扭矩	Recommend/ 建议:0.4Nm, Max/ 最大:0.8Nm	
Termination 接线方式	Soldering / 焊接, Crimping/ 压接	
Wire gauge 适配线规	0.34mm ² (AWG 22)	
Rated temperature 温度范围	Flexible/ 动态 -25 °C ... +80 °C, Static/ 静态 -40 °C ... +80 °C	
Insulation resistance 绝缘电阻	≥100MΩ	
Contact resistance 接触电阻	≤5mΩ	
Over-molding 外模材料	TPU	
Contact carrier 胶芯材料	TPU + GF	
Screw nut 螺丝材料	Brass, CNC, nickel-plated 黄铜 镀镍 机加工	
Contact Pin针端子	Phosphor bronze 磷青铜	
Contacts plating 端子镀层	Au (Gold) 镀金	
O-ring 密封圈	FKM/ Silicon O-Ring 氟橡胶/ 硅胶	
Protection degree 防护等级	IP67, IP68	
Pollution degree 污染等级	3	

Ordering No. 订购料号

Poles 芯数	Cable length 电缆长度	PVC (Cable/电缆)		PUR (Cable/电缆)	
		PNP	NPN	PNP	NPN
3 Pin	1m	MC03C2RSAPNB22CK10	MC03C2RSANPB22CK10	MC03C2RSAPNB22RK10	MC03C2RSANPB22RK10
	2m	MC03C2RSAPNB22CK20	MC03C2RSANPB22CK20	MC03C2RSAPNB22RK20	MC03C2RSANPB22RK20
	3m	MC03C2RSAPNB22CK30	MC03C2RSANPB22CK30	MC03C2RSAPNB22RK30	MC03C2RSANPB22RK30
	5m	MC03C2RSAPNB22CK50	MC03C2RSANPB22CK50	MC03C2RSAPNB22RK50	MC03C2RSANPB22RK50
4 Pin	1m	MC04C2RSAPNB22CK10	MC04C2RSANPB22CK10	MC04C2RSAPNB22RK10	MC04C2RSANPB22RK10
	2m	MC04C2RSAPNB22CK20	MC04C2RSANPB22CK20	MC04C2RSAPNB22RK20	MC04C2RSANPB22RK20
	3m	MC04C2RSAPNB22CK30	MC04C2RSANPB22CK30	MC04C2RSAPNB22RK30	MC04C2RSANPB22RK30
	5m	MC04C2RSAPNB22CK50	MC04C2RSANPB22CK50	MC04C2RSAPNB22RK50	MC04C2RSANPB22RK50

Cable's Color Coding & Wiring 芯线颜色与线序

Poles & Wire Color / Pin位与接线		
Pin 1 第1芯	BN 棕	BN 棕
Pin 2 第2芯		WH 白
Pin 3 第3芯	BU 蓝	BU 蓝
Pin 4 第4芯	BK 黑	BK 黑