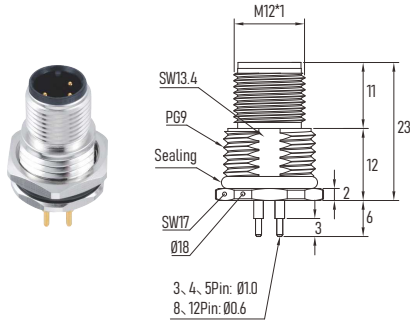


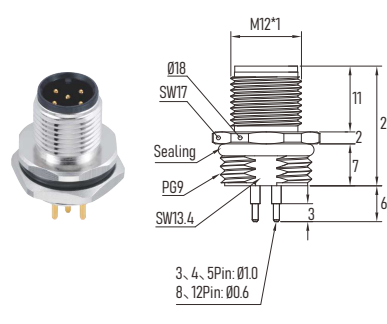
M12 A-Code male panel connector, front/ rear side fastening, PCB Contacts

M12 A-型 公头 板端连接器 前锁/ 后锁 PCB焊针型

Front Fastened 前锁

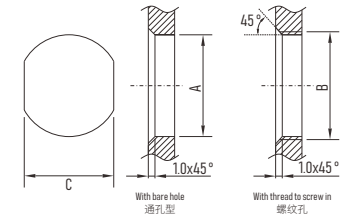


Rear Fastened 后锁



Recommended Panel Cut-out 面板开孔建议

Chassis side	PG9	M16	M20	1/2"-14NPT
A	15.3 ^{+0.1} ₋₀	16.1 ^{+0.1} ₋₀	20.1 ^{+0.1} ₋₀	21.4 ^{+0.1} ₋₀
B	PG9	M16x1.5	M20x1.5	1/2"-14NPT
C	13.5 ^{+0.1} ₋₀	13.6 ^{+0.1} ₋₀	N/A	N/A



Connector Technical data 技术参数

Contacts No. Pin位/芯数	3Pin	4Pin	5Pin	8Pin	12Pin	17Pin
Front View 正视图						
Reference Standard 参照标准	IEC 61076-2-101					
Rated current 额定电流	4A			2A		1.5A
Rated voltage 额定电压	250V		60V	30V		
Impulse voltage 脉冲高压	2500V		1500V	800V		500V
Locking system 锁紧方式	M12 x 1.0 screw / M12 螺丝锁紧					
Tightening Torque 螺丝扭矩	Recommend/ 建议: 0.6Nm, Max/ 最大: 1.0Nm					
Termination 接线方式	PCB Dip Soldering / PCB 浸焊					
Rated temperature 温度范围	-25 °C ... +80 °C; -40 °C ... +105 °C					
Insulation resistance 绝缘电阻	≥100MΩ					
Contact resistance 接触电阻	≤5mΩ					
Contact carrier 胶芯材料	PA66 + GF					
Screw nut 螺丝材料	Brass, CNC, Nickel-plated 黄铜 镀镍 机加工					
Contact Pin针端子	Brass 黄铜					
Contacts plating 端子镀层	Au (Gold) 镀金					
O-ring 密封圈	FKM/ Silicon 氟橡胶/硅胶					
Protection degree 防护等级	IP67, IP68					
Pollution degree 污染等级	3					

Ordering No. 订购料号

Poles 芯数	Panel Front Side Fastening 板前锁				Panel Rear Side Fastening 板后锁			
	PG9	M16x1.5	M20x1.5	1/2"-14NPT	PG9	M16x1.5	M20x1.5	1/2"-14NPT
3 Pin	MC03P1LPABP9	MC03P1LPAB16	MC03P1LPAB20	MC03P1LPAB14N	MC03P3LPABP9	MC03P3LPAB16	MC03P3LPAB20	MC03P3LPAB14N
4 Pin	MC04P1LPABP9	MC04P1LPAB16	MC04P1LPAB20	MC04P1LPAB14N	MC04P3LPABP9	MC04P3LPAB16	MC04P3LPAB20	MC04P3LPAB14N
5 Pin	MC05P1LPABP9	MC05P1LPAB16	MC05P1LPAB20	MC05P1LPAB14N	MC05P3LPABP9	MC05P3LPAB16	MC05P3LPAB20	MC05P3LPAB14N
8 Pin	MC08P1LPABP9	MC08P1LPAB16	MC08P1LPAB20	MC08P1LPAB14N	MC08P3LPABP9	MC08P3LPAB16	MC08P3LPAB20	MC08P3LPAB14N
12 Pin	MC12P1LPABP9	MC12P1LPAB16	MC12P1LPAB20	MC12P1LPAB14N	MC12P3LPABP9	MC12P3LPAB16	MC12P3LPAB20	MC12P3LPAB14N
17 Pin	MC17P1LPABP9	MC17P1LPAB16	MC17P1LPAB20	MC17P1LPAB14N	MC17P3LPABP9	MC17P3LPAB16	MC17P3LPAB20	MC17P3LPAB14N

PCB Layout Reference 孔位分布与钻孔建议

