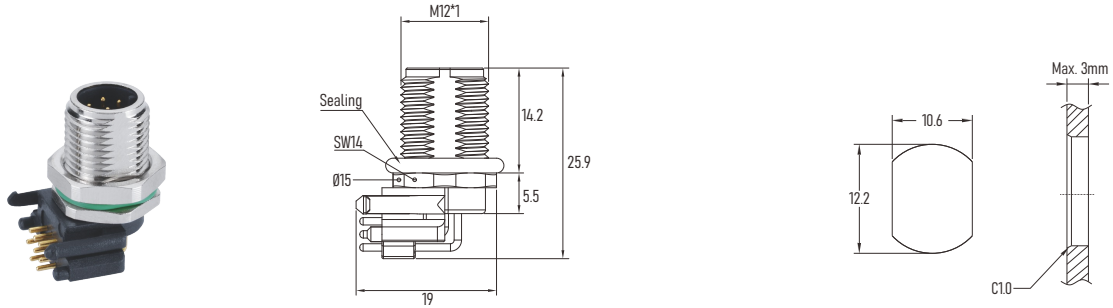


M12 male panel connector, front side fastening, PCB Contacts, with 90 degree PCB contacts
M12 公头 板端连接器 板前锁 PCB弯针型

Front Fastened 前锁

Recommended Panel Cut-out 面板开孔建议



Connector Technical data 技术参数

Contacts No. Pin位/芯数	4Pin	5Pin	8Pin
Front View 正视图			
Reference Standard 参照标准	IEC 61076-2-101		
Rated current 额定电流	4A		2A
Rated voltage 额定电压	250V		30V
Impulse voltage 脉冲高压	2500V		1500V
Locking system 锁紧方式	M12 x 1.0 screw / M12 螺丝锁紧		
Tightening Torque 螺丝扭矩	Recommend/ 建议:0.6Nm, Max/ 最大:1.0Nm		
Termination 接线方式	PCB Dip Soldering / PCB浸焊		
Rated temperature 温度范围	-25 °C ... +80 °C; - 40 °C ... +105 °C		
Insulation resistance 绝缘电阻	≥100MΩ		
Contact resistance 接触电阻	≤5mΩ		
Contact carrier 胶芯材料	PA66 + GF		
Screw nut 螺丝材料	Brass, CNC, Nickel-plated 黄铜 镀镍 机加工		
Contact Pin针端子	Brass 黄铜		
Contacts plating 端子镀层	Au (Gold) 镀金		
O-ring 密封圈	FKM/ Silicon 氟橡胶/硅胶		
Protection degree 防护等级	IP67, IP68		
Pollution degree 污染等级	3		

Ordering No. 订购料号

Poles 芯数	Panel Front Side Fastening 板前锁
4 Pin	MCD4P1RPA12
5 Pin	MCD5P1RPA12
8 Pin	MCD8P1RPA12

PCB Layout Reference 孔位分布与钻孔建议

