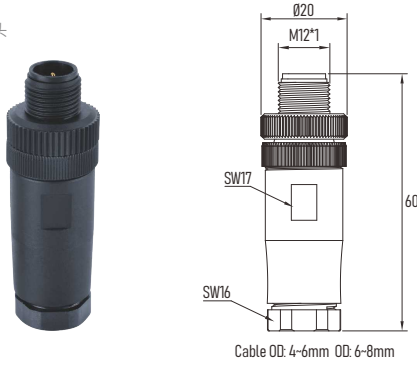
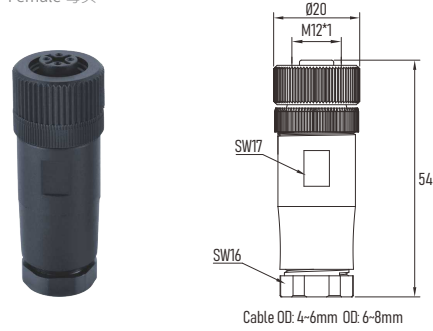


M12 Male/ Female, Field Wireable Connector, Plastic screw  
M12 公头/母头 组装式 连接器 塑胶螺丝

Male 公头



Female 母头



Connector Technical data 技术参数

Contacts No.	Pin位/芯数	3Pin	4Pin	5Pin	CAN / DVN	8Pin	12Pin	
Front View	正视图							
	侧视图							
Reference Standard	参照标准	IEC 61076-2-101						
Rated current	额定电流	4A				2A		1.5A
Rated voltage	额定电压	250V			60V		30V	
Impulse voltage	脉冲高压	2500V			1500V		800V	500V
Locking system	锁紧方式	M12 x 1.0 screw / M12 螺丝锁紧						
Tightening Torque	螺丝扭矩	Recommend/ 建议: 0.4Nm, Max/ 最大: 0.8Nm, Wire screw/ 接线螺丝: 0.2Nm, Cable gland/ 尾卡螺母: 0.4-1.0Nm						
Termination	接线方式	Screw fixing / 锁螺钉						
Wire gauge	适配线规	0.34mm <sup>2</sup> (AWG 22)				0.25mm <sup>2</sup> AWG24		0.14mm <sup>2</sup> (AWG 26)
Cable outlet	适配线径	PG7 (4-6mm), PG9 (6-8mm)						
Rated temperature	温度范围	-25 °C ... +90 °C, -40 °C ... +125 °C						
Insulation resistance	绝缘电阻	≥100MΩ						
Contact resistance	接触电阻	≤ 5mΩ						
Connector body	外壳材料	PA66 + GF						
Contact carrier	胶芯材料	PA66 + GF						
Screw nut	螺丝材料	PA66 + GF						
Contact	Pin针端子	Male: Brass/ 公针: 黄铜; Female: Phosphor bronze/ 母针: 磷青铜						
Contacts plating	端子镀层	Au (Gold) 镀金						
O-ring	密封圈	FKM/ NBR 氟橡胶/ 丁腈橡胶						
Protection degree	防护等级	IP67, IP68						
Pollution degree	污染等级	3						

Ordering No. 订购料号

Poles 芯数	Male 公头	Female 母头
3 Pin	MC03A1LWASP	MC03A2LWASP
4 Pin	MC04A1LWASP	MC04A2LWASP
5 Pin	MC05A1LWASP	MC05A2LWASP
8 Pin	MC08A1LWASP	MC08A2LWASP
12 Pin	MCT2A1LSASP	MCT2A2LSASP

Assembly Instruction 组装式安装说明

