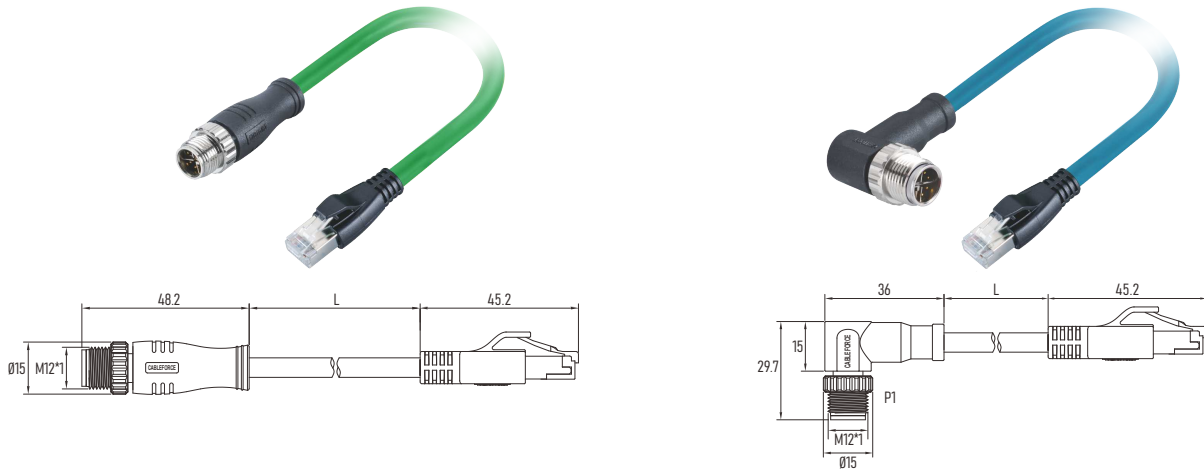


M12 X-Code, male to RJ45 male, double ended, molded 10Gbps Cat 6A 4x2x26AWG Ethernet cable, 360° EMI-Shielded
 M12 X-型 - RJ45 双公头 成型式 预铸 10Gbps Cat 6A 4x2x26AWG 以太网电缆 360° 屏蔽型



Connector Technical data 技术参数

Contacts No. Pin位/芯数	M12 Male 公头	Cable Color 电缆颜色	RJ45 Male 公头
Front View 正视图			
Reference Standard 参照标准	IEC 61076-2-109		
Rated current 额定电流	0.5A		
Rated voltage 额定电压	50V AC, 60V DC		
Impulse voltage 脉冲高压	800V		
Locking system 锁紧方式	M12 x 1.0 screw / M12 螺丝锁紧		
Termination 接线方式	M12: Soldering / 焊接, RJ45: Piercing / 刺破式		
Cable specification 电缆规格	Cat 6A S/FTP 4x2x26AWG (0.14mm ²) Ethernet Cable 以太网电缆		
Rated temperature 温度范围	Flexible/ 动态 -25 °C ... +80 °C, Static/ 静态 -40 °C ... +80 °C		
Insulation resistance 绝缘电阻	≥100MΩ		
Contact resistance 接触电阻	≤5mΩ		
Characteristic impedance 特性阻抗	100Ω ±15		
Over-molding 外模材料	TPU		
Contact carrier 胶芯材料	PA66 + GF		
Screw nut 螺丝材料	Brass, CNC, nickel-plated 黄铜 镀镍 机加工		
Contact Pin针端子	Brass 黄铜		
Contacts plating 端子镀层	Au (15μ" Gold) 镀金		
O-ring 密封圈	FKM/ Silicon O-Ring 氟橡胶/ 硅胶		
Protection degree 防护等级	IP65, IP67		
Drag chain bending 拖链寿命	2 Million times / 200万次		
Pollution degree 污染等级	3		

Ordering No. 订购料号

Poles 芯数	Cable length 电缆长度	180° Straight 直头		90° Right Angled - 180° Straight 弯头对直头	
		PUR (Green Cable 绿色电缆)	PUR (Lake blue Cable 湖蓝色电缆)	PUR (Green Cable 绿色电缆)	PUR (Lake blue Cable 湖蓝色电缆)
8 Pin	0.3 m	RJ6AC1-MC08C1LSXS26RG03-PFNF2	RJ6AC1-MC08C1LSXS26RLB03-PFNF2	RJ6AC1-MC08C1LRSXS26RG03-PFNF2	RJ6AC1-MC08C1LRSXS26RLB03-PFNF2
	0.6 m	RJ6AC1-MC08C1LSXS26RG06-PFNF2	RJ6AC1-MC08C1LSXS26RLB06-PFNF2	RJ6AC1-MC08C1LRSXS26RG06-PFNF2	RJ6AC1-MC08C1LRSXS26RLB06-PFNF2
	1.0 m	RJ6AC1-MC08C1LSXS26RG10-PFNF2	RJ6AC1-MC08C1LSXS26RLB10-PFNF2	RJ6AC1-MC08C1LRSXS26RG10-PFNF2	RJ6AC1-MC08C1LRSXS26RLB10-PFNF2
	1.5 m	RJ6AC1-MC08C1LSXS26RG15-PFNF2	RJ6AC1-MC08C1LSXS26RLB15-PFNF2	RJ6AC1-MC08C1LRSXS26RG15-PFNF2	RJ6AC1-MC08C1LRSXS26RLB15-PFNF2
	2.0 m	RJ6AC1-MC08C1LSXS26RG20-PFNF2	RJ6AC1-MC08C1LSXS26RLB20-PFNF2	RJ6AC1-MC08C1LRSXS26RG20-PFNF2	RJ6AC1-MC08C1LRSXS26RLB20-PFNF2
	3.0 m	RJ6AC1-MC08C1LSXS26RG30-PFNF2	RJ6AC1-MC08C1LSXS26RLB30-PFNF2	RJ6AC1-MC08C1LRSXS26RG30-PFNF2	RJ6AC1-MC08C1LRSXS26RLB30-PFNF2

Wiring Diagram 接线表

