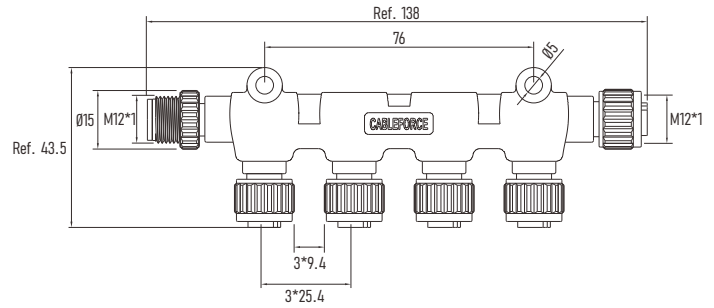


## M12 5Pin 4 Way T-Connector M12 5Pin 四路分线器



### Connector Technical data 技术参数

Contacts No. Pin位/芯数	3Pin A-Code	4Pin A-Code	4Pin D-Code	5Pin A-Code	5Pin B-Code
Front View 正视图					
Reference Standard 参照标准	IEC 61076-2-101				
Rated current 额定电流	4A				
Rated voltage 额定电压	250V			60V	
Impulse voltage 脉冲高压	2500V			1500V	
Locking system 锁紧方式	M12 x 1.0 screw / M12 螺丝锁紧				
Tightening Torque 螺丝扭矩	Recommend/ 建议: 0.4Nm, Max/ 最大: 0.8Nm				
Rated temperature 温度范围	Flexible/ 动态 -25 °C ... +80 °C, Static/ 静态 -40 °C ... +80 °C				
Insulation resistance 绝缘电阻	≥ 100MΩ				
Contact resistance 接触电阻	≤ 5mΩ				
Connector body 外壳材料	TPU				
Contact carrier 胶芯材料	TPU + GF				
Screw nut 螺丝材料	Brass, CNC, nickel-plated 黄铜 镀镍 机加工				
Contact Pin针端子	Brass 黄铜; Phosphor bronze 磷青铜				
Contacts plating 端子镀层	Au (Gold) 镀金				
O-ring 密封圈	FKM/ Silicon O-Ring 氟橡胶/ 硅胶				
Protection degree 防护等级	IP67, IP68				
Pollution degree 污染等级	3				

### Ordering No. 订购料号

Coding 防呆键	Un-Shielded 非屏蔽				Shielded 屏蔽型			
	3 Pin	4 Pin	5 Pin	8 Pin	3 Pin	4 Pin	5 Pin	8 Pin
A-Code	MC03T5-AB	MC04T5-AB	MC05T5-AB	MC08T5-AB	MC03T5-ASB	MC04T5-ASB	MC05T5-ASB	MC08T5-ASB
B-Code			MC05T5-BB				MC05T5-BSB	
D-Code		MC04T5-DB				MC04T5-DSB		

### Wiring Diagram 接线表

