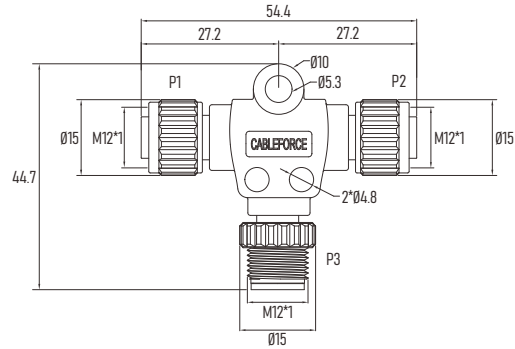


M12 T-Connector, Female to Female/ Male M12 T-型头 母头 转 母头/ 公头



Connector Technical data 技术参数

Contacts No. Pin位/芯数	3Pin A-Code	4Pin A-Code	4Pin D-Code	5Pin A-Code	5Pin B-Code	8Pin A-Code
P1 Front View 正视图						
P2 Front View 正视图						
P3 Front View 正视图						
Reference Standard 参照标准	IEC 61076-2-101					
Rated current 额定电流	4A					
Rated voltage 额定电压	250V			60V		
Impulse voltage 脉冲高压	2500V			1500V		
Locking system 锁紧方式	M12 x 1.0 screw / M12 螺丝锁紧					
Tightening Torque 螺丝扭矩	Recommend/ 建议: 0.4Nm, Max/ 最大: 0.8Nm					
Rated temperature 温度范围	Flexible/ 动态 -25 °C ... +80 °C, Static/ 静态 -40 °C ... +80 °C					
Insulation resistance 绝缘电阻	≥100MΩ					
Contact resistance 接触电阻	≤5mΩ					
Connector body 外壳材料	TPU					
Contact carrier 胶芯材料	TPU + GF					
Screw nut 螺丝材料	Brass, CNC, nickel-plated 黄铜 镀镍 机加工					
Contact Pin针端子	Brass 黄铜; Phosphor bronze 磷青铜					
Contacts plating 端子镀层	Au (Gold) 镀金					
O-ring 密封圈	FKM/ Silicon O-Ring 氟橡胶/ 硅胶					
Protection degree 防护等级	IP67, IP68					
Pollution degree 污染等级	3					

Ordering No. 订购料号

Coding 防呆键	Un-Shielded 非屏蔽				Shielded 屏蔽型			
	3 Pin	4 Pin	5 Pin	8 Pin	3 Pin	4 Pin	5 Pin	8 Pin
A-Code	MC03T-FFMAB	MC04T-FFMAB	MC05T-FFMAB	MC08T-FFMAB	MC03T-FFMASB	MC04T-FFMASB	MC05T-FFMASB	MC08T-FFMASB
B-Code			MC05T-FFMBS				MC05T-FFMBSB	
D-Code		MC04T-FFMDB				MC04T-FFMDBS		

Wiring Diagram 接线表

