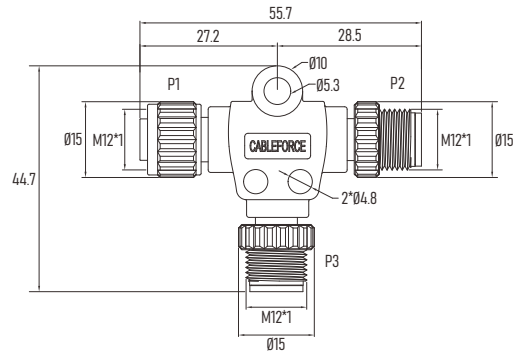


M12 T-Connector, Female to Male x 2 M12 T-型头 母头 转 2个公头



Connector Technical data 技术参数

| Contacts No. Pin位/芯数 | 3Pin A-Code | 4Pin A-Code | 4Pin D-Code | 5Pin A-Code | 5Pin B-Code | 8Pin A-Code |
|----------------------------|--|-------------|-------------|-------------|-------------|-------------|
| P1 Front View 正视图 | | | | | | |
| P2 Front View 正视图 | | | | | | |
| P3 Front View 正视图 | | | | | | |
| Reference Standard 参照标准 | IEC 61076-2-101 | | | | | |
| Rated current 额定电流 | 4A | | | | | |
| Rated voltage 额定电压 | 250V | | | 60V | | |
| Impulse voltage 脉冲高压 | 2500V | | | 1500V | | |
| Locking system 锁紧方式 | M12 x 1.0 screw / M12 螺丝锁紧 | | | | | |
| Tightening Torque 螺丝扭矩 | Recommend/ 建议: 0.4Nm, Max/ 最大: 0.8Nm | | | | | |
| Rated temperature 温度范围 | Flexible/ 动态 -25 °C ... +80 °C, Static/ 静态 -40 °C ... +80 °C | | | | | |
| Insulation resistance 绝缘电阻 | ≥100MΩ | | | | | |
| Contact resistance 接触电阻 | ≤5mΩ | | | | | |
| Connector body 外壳材料 | TPU | | | | | |
| Contact carrier 胶芯材料 | TPU + GF | | | | | |
| Screw nut 螺丝材料 | Brass, CNC, nickel-plated 黄铜 镀镍 机加工 | | | | | |
| Contact Pin针端子 | Brass 黄铜; Phosphor bronze 磷青铜 | | | | | |
| Contacts plating 端子镀层 | Au (Gold) 镀金 | | | | | |
| O-ring 密封圈 | FKM/ Silicon O-Ring 氟橡胶/ 硅胶 | | | | | |
| Protection degree 防护等级 | IP67, IP68 | | | | | |
| Pollution degree 污染等级 | 3 | | | | | |

Ordering No. 订购料号

| Coding 防呆键 | Un-Shielded 非屏蔽 | | | | Shielded 屏蔽型 | | | |
|------------|-----------------|-------------|-------------|-------------|--------------|--------------|--------------|--------------|
| | 3 Pin | 4 Pin | 5 Pin | 8 Pin | 3 Pin | 4 Pin | 5 Pin | 8 Pin |
| A-Code | MC03T-FMMAB | MC04T-FMMAB | MC05T-FMMAB | MC08T-FMMAB | MC03T-FMMASB | MC04T-FMMASB | MC05T-FMMASB | MC08T-FMMASB |
| B-Code | | | MC05T-FMMBB | | | | MC05T-FMMBSB | |
| D-Code | | MC04T-FMMDb | | | | MC04T-FMMDsB | | |

Wiring Diagram 接线表

