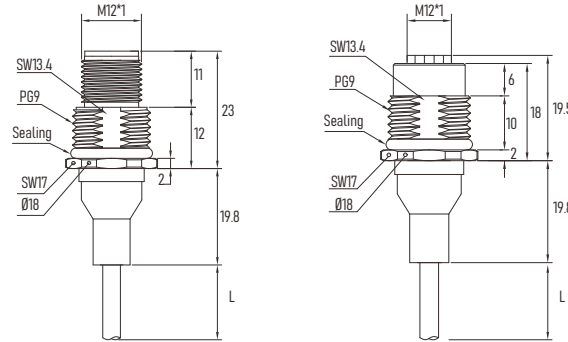


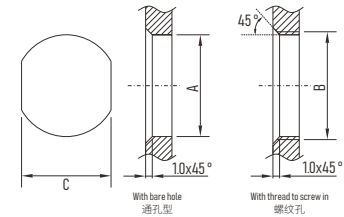
M12 D-Code male/ female panel connector, EMI-Shielded, with cable M12 D-型 公头/母头 板端连接器 屏蔽型 电缆

Front Fastened 前锁



Recommended Panel Cut-out 面板开孔建议

Chassis side	PG9	M16
A	15.3 ^{+0.1} ₀	16.1 ^{+0.1} ₀
B	PG9	M16x15
C	13.5 ^{+0.1} ₀	13.6 ^{+0.1} ₀



Connector Technical data 技术参数

Contacts No.	Pin位/芯数	M12 D-Code 4Pin male 公头	M12 D-Code 4Pin female 母头
Front View	正视图		
Reference Standard	参照标准	IEC 61076-2-101	
Rated current	额定电流	4A	
Rated voltage	额定电压	250V	
Impulse voltage	脉冲高压	2500V	
Locking system	锁紧方式	M12 x 1.0 screw / M12 螺丝锁紧	
Tightening Torque	螺丝扭矩	Recommend/ 建议: 0.6Nm, Max/ 最大: 1.0Nm	
Termination	接线方式	Soldering / 焊接	
Wire gauge	适配线规	0.34mm ² (AWG 22)	
Rated temperature	温度范围	-25 °C ... +80 °C; -40 °C ... +105 °C	
Insulation resistance	绝缘电阻	≥100MΩ	
Contact resistance	接触电阻	≤5mΩ	
Contact carrier	胶芯材料	PA66 + GF	
Screw nut	螺丝材料	Brass, CNC, Nickel-plated 黄铜 镀镍 机加工	
Contact	Pin针端子	Brass 黄铜, Phosphor bronze 磷青铜	
Contacts plating	端子镀层	Au (Gold) 镀金	
O-ring	密封圈	FKM/ Silicon 氟橡胶/硅胶	
Protection degree	防护等级	IP67, IP68	
Pollution degree	污染等级	3	

Ordering No. 订购料号

Poles 芯数	Wire length 接线长度	Male 公头 (PUR cable, Balck)		Female 母头 (PUR cable, Balck)	
		PG9	M16x1.5	PG9	M16x1.5
4 Pin	10 m	MC04P1LSDSBP9-22RG10	MC04P1LSDSB16-22RG10	MC04P2LSDSBP9-22RG10	MC04P2LSDSB16-22RG10
	20 m	MC04P1LSDSBP9-22RG20	MC04P1LSDSB16-22RG20	MC04P2LSDSBP9-22RG20	MC04P2LSDSB16-22RG20
	30 m	MC04P1LSDSBP9-22RG30	MC04P1LSDSB16-22RG30	MC04P2LSDSBP9-22RG30	MC04P2LSDSB16-22RG30
	50 m	MC04P1LSDSBP9-22RG50	MC04P1LSDSB16-22RG50	MC04P2LSDSBP9-22RG50	MC04P2LSDSB16-22RG50
	70 m	MC04P1LSDSBP9-22RG70	MC04P1LSDSB16-22RG70	MC04P2LSDSBP9-22RG70	MC04P2LSDSB16-22RG70
	100 m	MC04P1LSDSBP9-22RG100	MC04P1LSDSB16-22RG100	MC04P2LSDSBP9-22RG100	MC04P2LSDSB16-22RG100

Cable's Color Coding & Wiring 芯线颜色与线序

Poles and Wire Color / Pin位与接线		
Pin 1 第1芯	YE 黄	YE 黄
Pin 2 第2芯	OR 橙	WH 白
Pin 3 第3芯	WH 白	OR 橙
Pin 4 第4芯	BU 蓝	BU 蓝