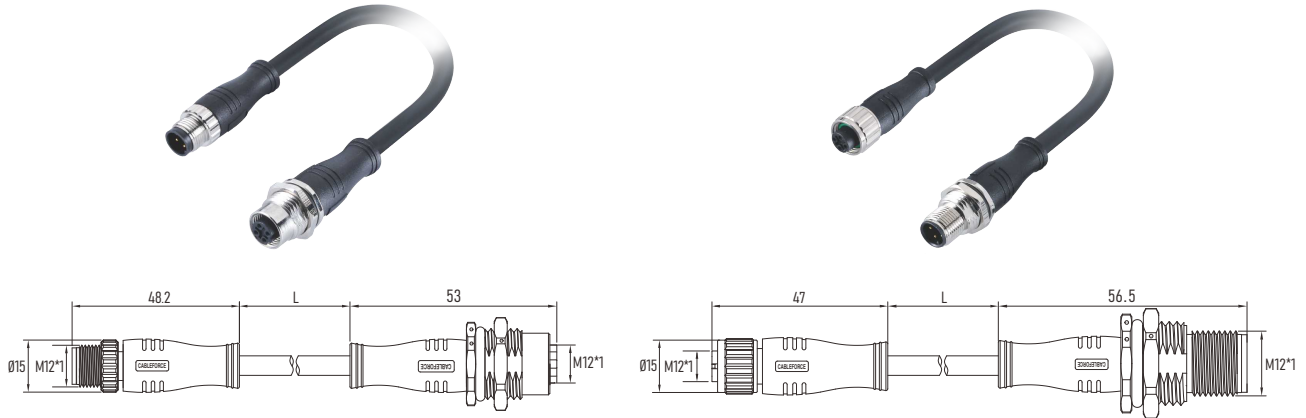


M12 4Pin D-Code molding type connector to panel mount connector molded Cat 5e S/FTP 2x2x22AWG Ethernet cable
 M12 4芯 D-型 成型式 接 面板式 板端连接器 屏蔽型 预铸超五类4芯22AWG以太网电缆



Connector Technical data 技术参数

Contacts No. Pin位/芯数	M12 D-Code 4Pin male 公头	Cable Color 电缆颜色	M12 D-Code 4Pin female 母头
Front View 正视图			
Reference Standard 参照标准	IEC 61076-2-101		
Rated current 额定电流	4A		
Rated voltage 额定电压	250V		
Impulse voltage 脉冲高压	2500V		
Locking system 锁紧方式	M12 x 1.0 screw / M12 螺丝锁紧		
Tightening Torque 螺丝扭矩	Recommend/ 建议:0.6Nm, Max/ 最大:1.0Nm		
Termination 接线方式	Soldering / 焊接		
Wire gauge 适配线规	0.34mm ² (AWG 22), CAT 5E SFTP		
Rated temperature 温度范围	- 40 °C ... +80 °C		
Insulation resistance 绝缘电阻	≥100MΩ		
Contact resistance 接触电阻	≤5mΩ		
Characteristic impedance 特性阻抗	100Ω ±15		
Over-molding 外模材料	TPU		
Contact carrier 胶芯材料	TPU + GF		
Screw nut 螺丝材料	Brass, CNC, nickel-plated 黄铜 镀镍 机加工		
Contact Pin针端子	Brass 黄铜, Phosphor bronze 磷青铜		
Contacts plating 端子镀层	Au (Gold) 镀金		
O-ring 密封圈	FKM/ Silicon O-Ring 氟橡胶/ 硅胶		
Protection degree 防护等级	IP67, IP68		
Pollution degree 污染等级	3		

Ordering No. 订购料号

Poles 芯数	Cable length 电缆长度	Male molding type to female panel connector 成型式公接面板式母		Female molding type to male panel connector 成型式母接面板式公	
		PVC (Cable/电缆)	PUR (Cable/电缆)	PVC (Cable/电缆)	PUR (Cable/电缆)
4 Pin	1m	MC04C1/P2LSDB22CK10-C5E	MC04C1/P2LSDB22RK10-C5E	MC04C2/P1LSDB22CK10-C5E	MC04C2/P1LSDB22RK10-C5E
	2m	MC04C1/P2LSDB22CK20-C5E	MC04C1/P2LSDB22RK20-C5E	MC04C2/P1LSDB22CK20-C5E	MC04C2/P1LSDB22RK20-C5E
	5m	MC04C1/P2LSDB22CK50-C5E	MC04C1/P2LSDB22RK50-C5E	MC04C2/P1LSDB22CK50-C5E	MC04C2/P1LSDB22RK50-C5E
	10m	MC04C1/P2LSDB22CK100-C5E	MC04C1/P2LSDB22RK100-C5E	MC04C2/P1LSDB22CK100-C5E	MC04C2/P1LSDB22RK100-C5E
	15m	MC04C1/P2LSDB22CK150-C5E	MC04C1/P2LSDB22RK150-C5E	MC04C2/P1LSDB22CK150-C5E	MC04C2/P1LSDB22RK150-C5E
	20m	MC04C1/P2LSDB22CK200-C5E	MC04C1/P2LSDB22RK200-C5E	MC04C2/P1LSDB22CK200-C5E	MC04C2/P1LSDB22RK200-C5E

Wiring Diagram 接线表

